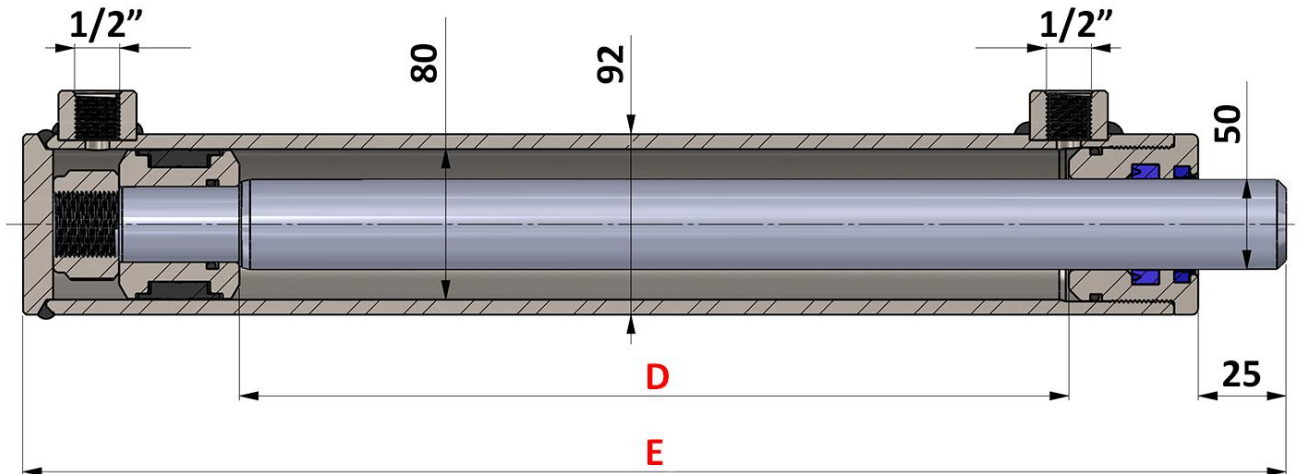


DATASHEET - DIMENSIONS

HYDRAULIC CYLINDERS STANDARD 80/50-xxx



	STANDARD	E	D (stroke)
Code	80/50-xxx	[mm]	
10636	80/50-100	280	100
11129	80/50-150	330	150
10637	80/50-200	380	200
11130	80/50-250	430	250
10638	80/50-300	480	300
11131	80/50-350	530	350
10304	80/50-400	580	400
11277	80/50-450	630	450
10463	80/50-500	680	500
14148	80/50-550	730	550
10305	80/50-600	780	600
10692	80/50-700	880	700
10464	80/50-800	980	800
10950	80/50-900	1080	900
10693	80/50-1000	1180	1000